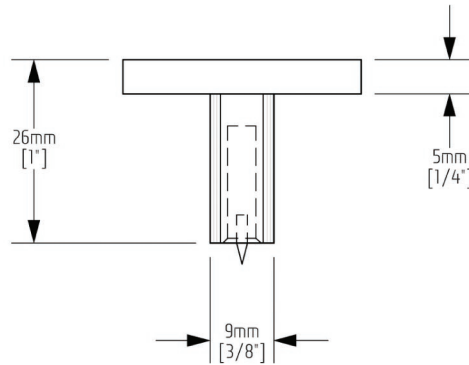




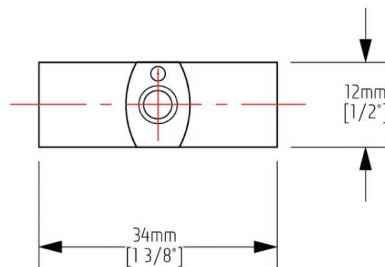
T - 301

FINISH: BRUSHED STAINLESS



1 SIDE VIEW

SCREW HOLE
TO FIT A 8-32 MS - INCLUDED



2 BOTTOM VIEW

PULL
LIFE
OPEN

Introducing the Jewel collection – designed with a passion for clean lined perfection and ergonomic usability, the Jewel collection offers a unique angle to contemporary cabinet pulls. Hand crafted from solid stainless steel and available in a mirror polished, matte or brushed stainless steel finish, the entire Jewel hardware line is meticulously finished to exacting specifications.

JEWEL
JEWEL

JWL

For more details visit www.jwlhardware.com